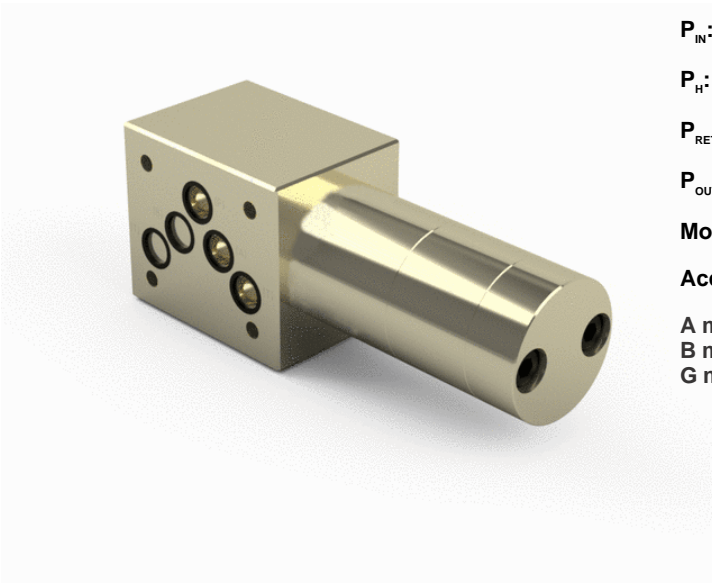


## HC3- H- NG10 miniBOOSTER



**HC3 - H - NG10 versions:** 11 different intensification factors

**P<sub>IN</sub>:** 20– 207 bar (inlet pressure)

**P<sub>H</sub>:** 500 bar maximum (outlet pressure)

**P<sub>RETURN</sub>:** As low as possible (return pressure to tank)

**P<sub>OUTLET</sub>:**  $P_H = (P_{IN} - P_{RETURN}) i$  (intensification)

**Mounting:** NG10 (D05) stacking manifold system

**Accessories:** Pilot- operated dump valve available

**A model** = no dump valve

**B model** = with dump valve

**G model** = direct proportionally controlled

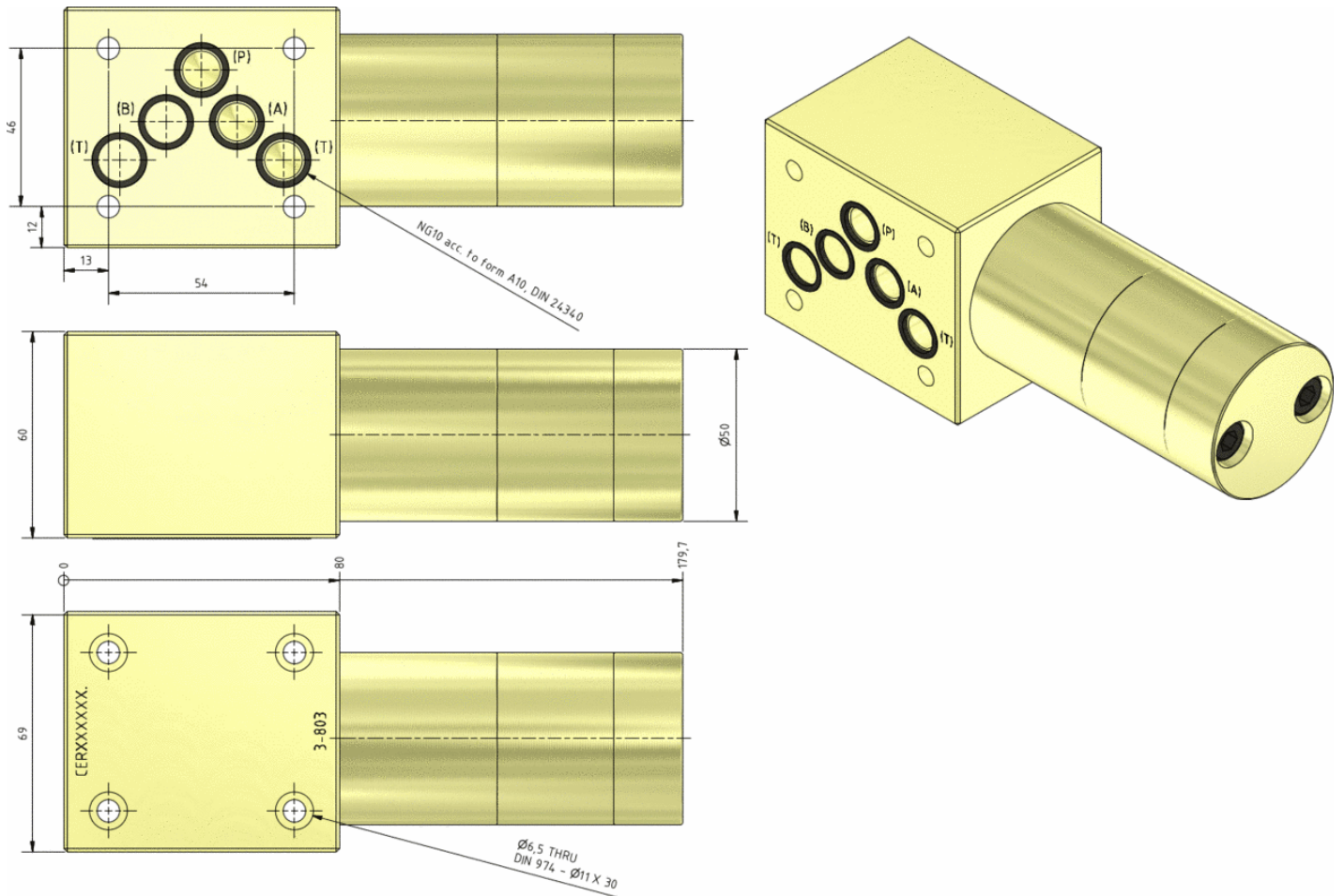
### Description

The HC3- H- NG10 is a variant of the HC3 with the topside and the B port closed, not needing a top plate. It is designed for use in NG10 (D05) stacking manifold systems. Like the other HC3 units, the HC3- H- NG10 is a compact unit weighing only 3.4 kg. Maximum outlet pressure is 500 bar in standard versions. Adjustments of the outlet pressure is carried out by varying the supplied pressure.

### Flow rates

Intensification factor <i>i</i>	Max. outlet flow l/ min	Max. inlet flow l/ min
1.2	1.2	8.0
1.5	1.0	8.0
2.0	2.0	12.0
2.8	2.2	13.0
3.2	2.5	15.0
4.0	2.0	14.0
5.0	1.6	14.0
6.6	1.3	13.0
9.0	0.9	13.0
13.0	0.6	12.0
20.0	0.3	12.0

## Dimensions



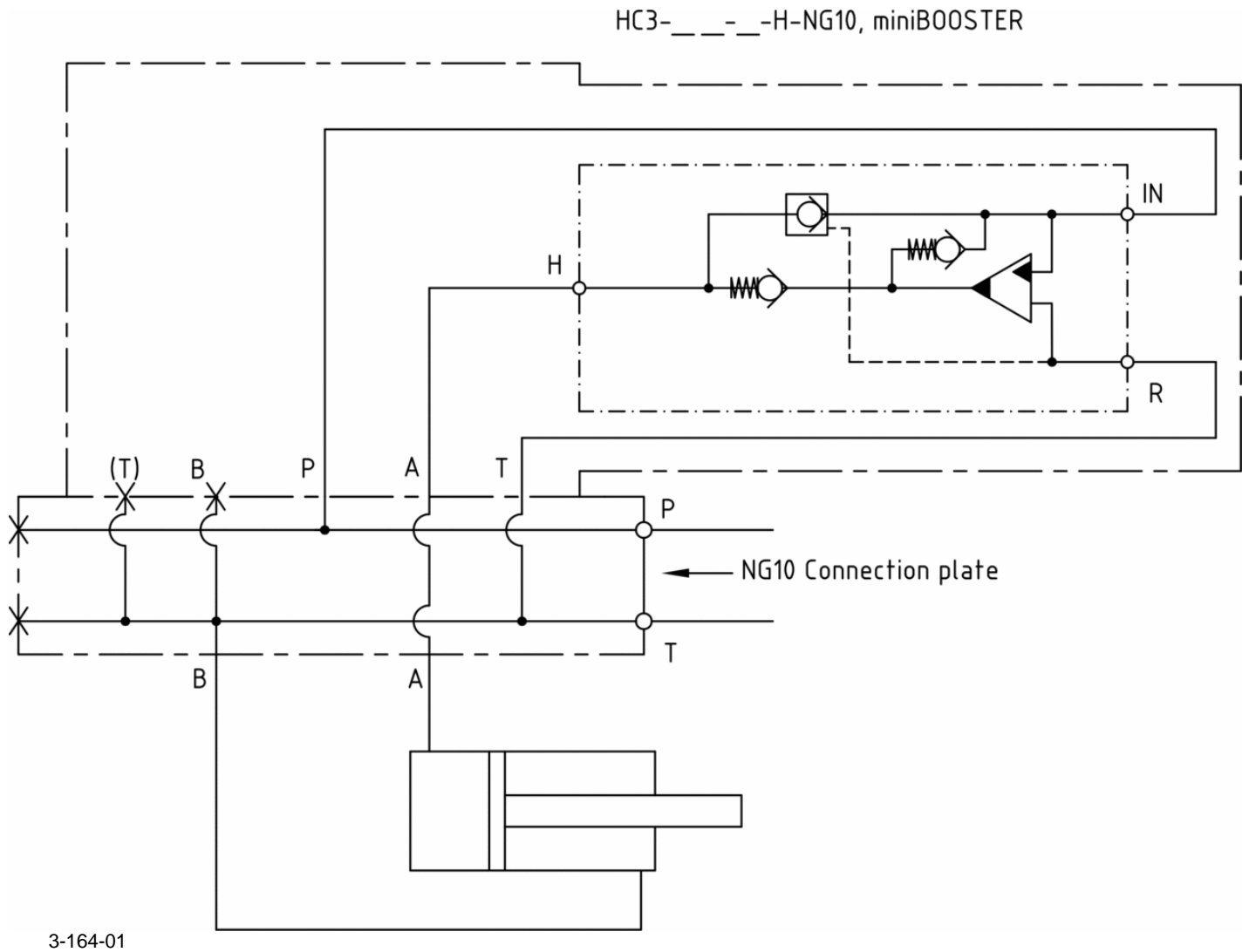
3-163-05

## Functions

The basic operation is illustrated in the function diagram. The oil is fed through the connecting plate and the filter to the IN port of the HC3-H-NG10 flowing freely through check valves KV1, KV2 and DV to the high-pressure side H.

From the high-pressure side H oil is fed to port A on the connecting plate. In this condition maximum flow through the booster is achieved giving a fast-forward function. When pump pressure is reached on the high-pressure side H, valves KV1, KV2 and DV will close. The end pressure will be achieved by the oscillating pump unit OP. The unit will automatically stall when end pressure on the high-pressure side is reached. If a pressure drop on the high-pressure side exists due to consumption or leakage, the OP valve will automatically operate to maintain the end pressure.

## Function diagram



## Fluids and materials

Please see: General specifications

## Ordering an HC3- H- NG10

Ordering example of an HC3 - H- NG10 with  $i = 4.0$ , DV incorporated: HC3 - 4.0 - B - H- NG10

Model	Intensification, $i$	Dump valve	Model
HC3	your selection... see flow rate table	your selection... A = (no) / A model B = (yes) / B model G = (proportional) / G model	H- NG10