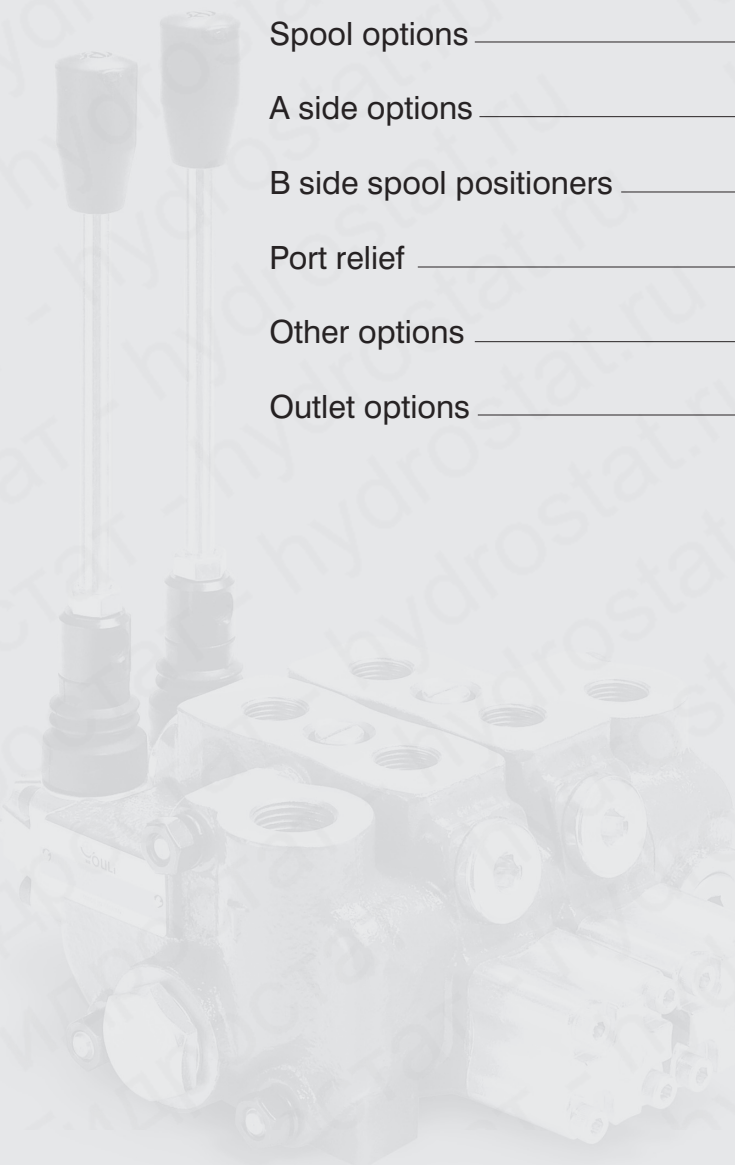

SN-3 Chapters

Sectional Directional Control Valves

Working condition	P.5
Ordering code	P.7
Dimensions	P.12
Performance data	P.13
Inlet relief options	P.14
Spool options	P.15
A side options	P.20
B side spool positioners	P.23
Port relief	P.30
Other options	P.32
Outlet options	P.36





For Mobile And Industrial Hydraulic Applications.

MB-2

ONLY ONE SECTION AVAILABLE



Nominal flow rate	45 l/min	12 US gpm
Operating pressure (maximum)	250 bar	3600 psi
Back pressure (maximum) on outlet port T	25 bar	360 psi

MB-3

AVAILABLE SECTIONS FROM 1 TO 7



Nominal flow rate	45 l/min	12 US gpm
Operating pressure (maximum)	parallel or tandem circuit series circuit	315 bar 4600 psi 210 bar 3050 psi
Back pressure (maximum) on outlet port T	25 bar	360 psi

MB-4

AVAILABLE SECTIONS FROM 1 TO 6



Nominal flow rate	60 l/min	16 US gpm
Operating pressure (maximum)	parallel or tandem circuit series circuit	315 bar 4600 psi 210 bar 3050 psi
Back pressure (maximum) on outlet port T	25 bar	360 psi

MB-5

AVAILABLE SECTIONS FROM 1 TO 6



Nominal flow rate	80 l/min	21 US gpm
Operating pressure (maximum)	parallel or tandem circuit series circuit	315 bar 4600 psi 250 bar 3600 psi
Back pressure (maximum) on outlet port T	25 bar	360 psi

MONOBLOCK DIRECTIONAL CONTROL VALVES

MB-2 / MB-3 / MB-4 / MB-5 / MSB-5

SECTIONAL DIRECTIONAL CONTROL VALVES

SN-3 / SN-4 / SN-6

MSB-5

AVAILABLE SECTIONS FROM 1 TO 6
With Independent load check valve in each section, and optional port relief.



Nominal flow rate	80 l/min	21 US gpm
Operating pressure (maximum)	parallel or tandem circuit series circuit	315 bar 4600 psi 250 bar 3600 psi
Back pressure (maximum) on outlet port T	25 bar	360 psi

SN-3

AVAILABLE SECTIONS FROM 1 TO 12



Nominal flow rate	50 l/min	13 US gpm
Operating pressure (maximum)	parallel or tandem circuit series circuit	315 bar 4600 psi 210 bar 3050 psi
Back pressure (maximum) on outlet port T	25 bar	360 psi

SN-4

AVAILABLE SECTIONS FROM 1 TO 12



Nominal flow rate	80 l/min	21 US gpm
Operating pressure (maximum)	parallel or tandem circuit series circuit	315 bar 4600 psi 210 bar 3050 psi
Back pressure (maximum) on outlet port T	25 bar	360 psi

SN-6

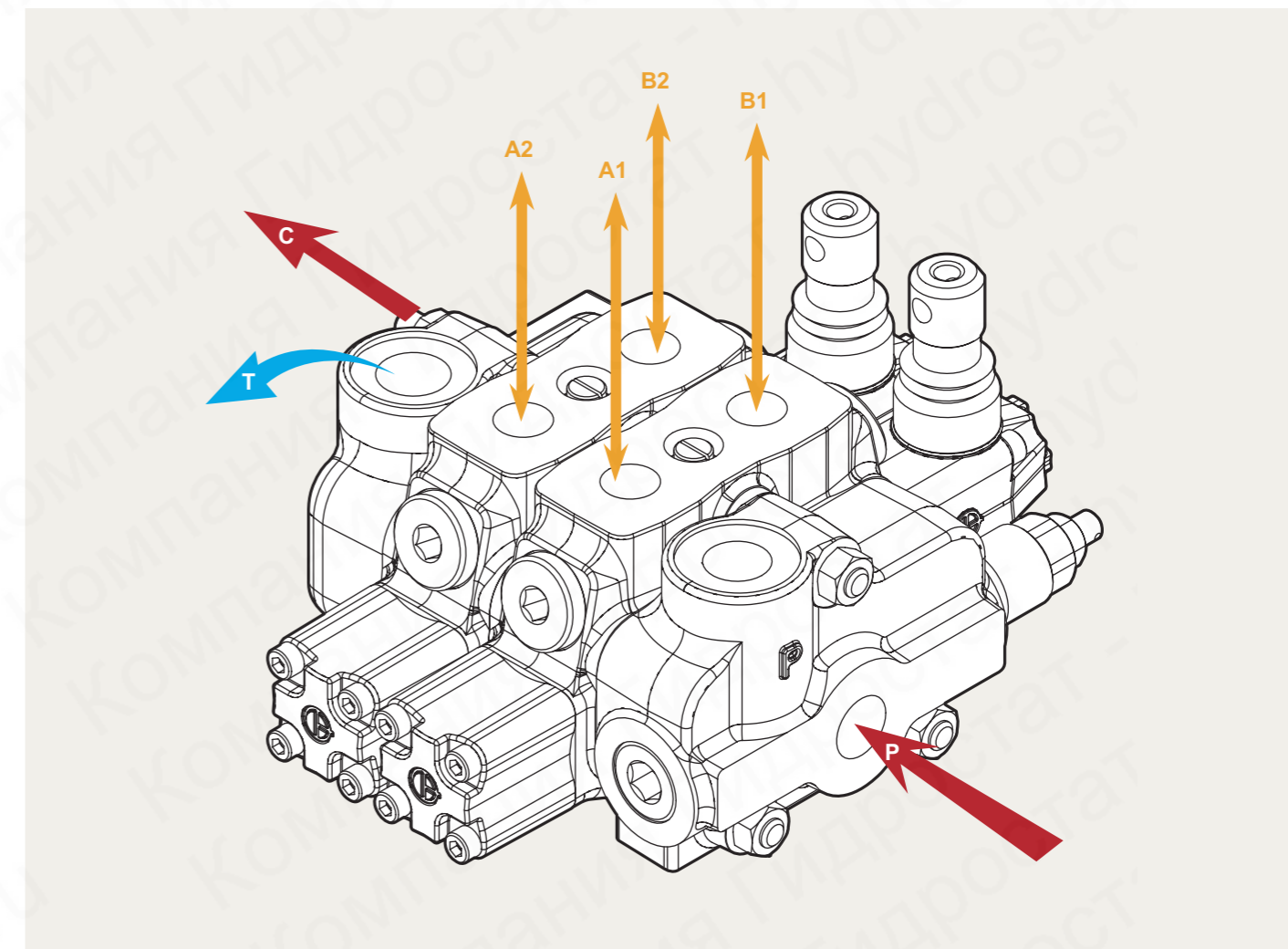
AVAILABLE SECTIONS FROM 1 TO 12



Nominal flow rate	140 l/min	37 US gpm
Operating pressure (maximum)	parallel or tandem circuit series circuit	315 bar 4600 psi 210 bar 3050 psi
Back pressure (maximum) on outlet port T	25 bar	360 psi

SN-3

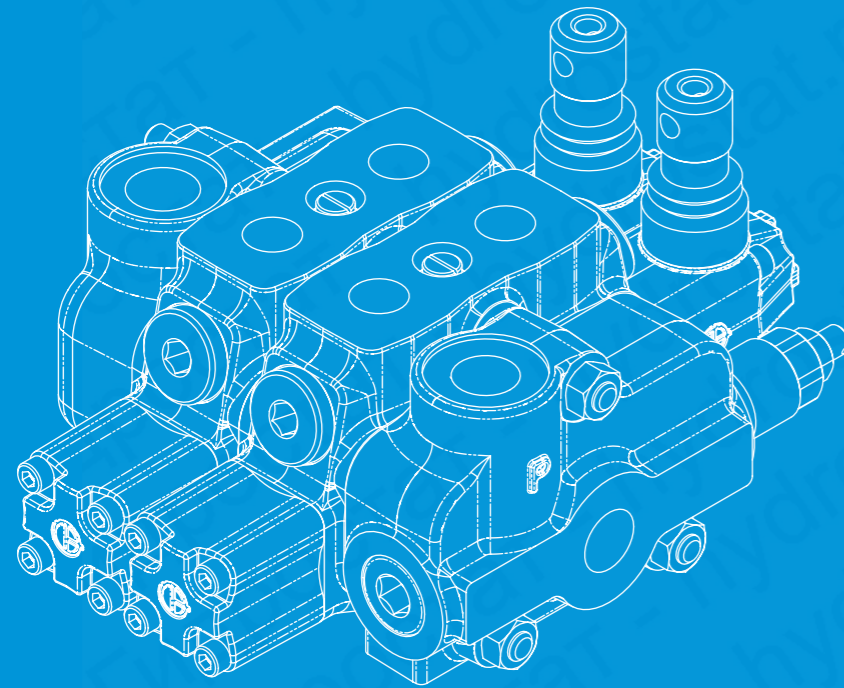
Sectional Directional Control Valves



SN-3 Specifications

Nominal flow rate		50 l/min	13 US gpm
Operating pressure (maximum)	parallel or tandem circuit	315 bar	4600 psi
	series circuit	210 bar	3050 psi
Back pressure (maximum)	on outlet port T	25 bar	360 psi
Fluid temperature range	with NBR(BUNA-N) seals	from - 20° to 80°C	from - 4° to 176° F
	with FPM(VITON) seal	from - 20° to 100°C	from - 4° to 212° F
Viscosity	operating range	from 15 to 75 mm ² /s	from 15 to 75 cst
	min	12 mm ² /s	12 cst
	max.	400 mm ² /s	400 cst
Ambient temperature range		from - 40° to 60°C	from - 40° to 140° F

• All specifications, dimensions and design characteristics shown in this catalogue are subject to change without notice.



Innovative Designs
Professional Quality
Customer Satisfaction !

AVAILABLE SECTIONS FROM
1 TO 12

SN-3

Sectional Directional Control Valves



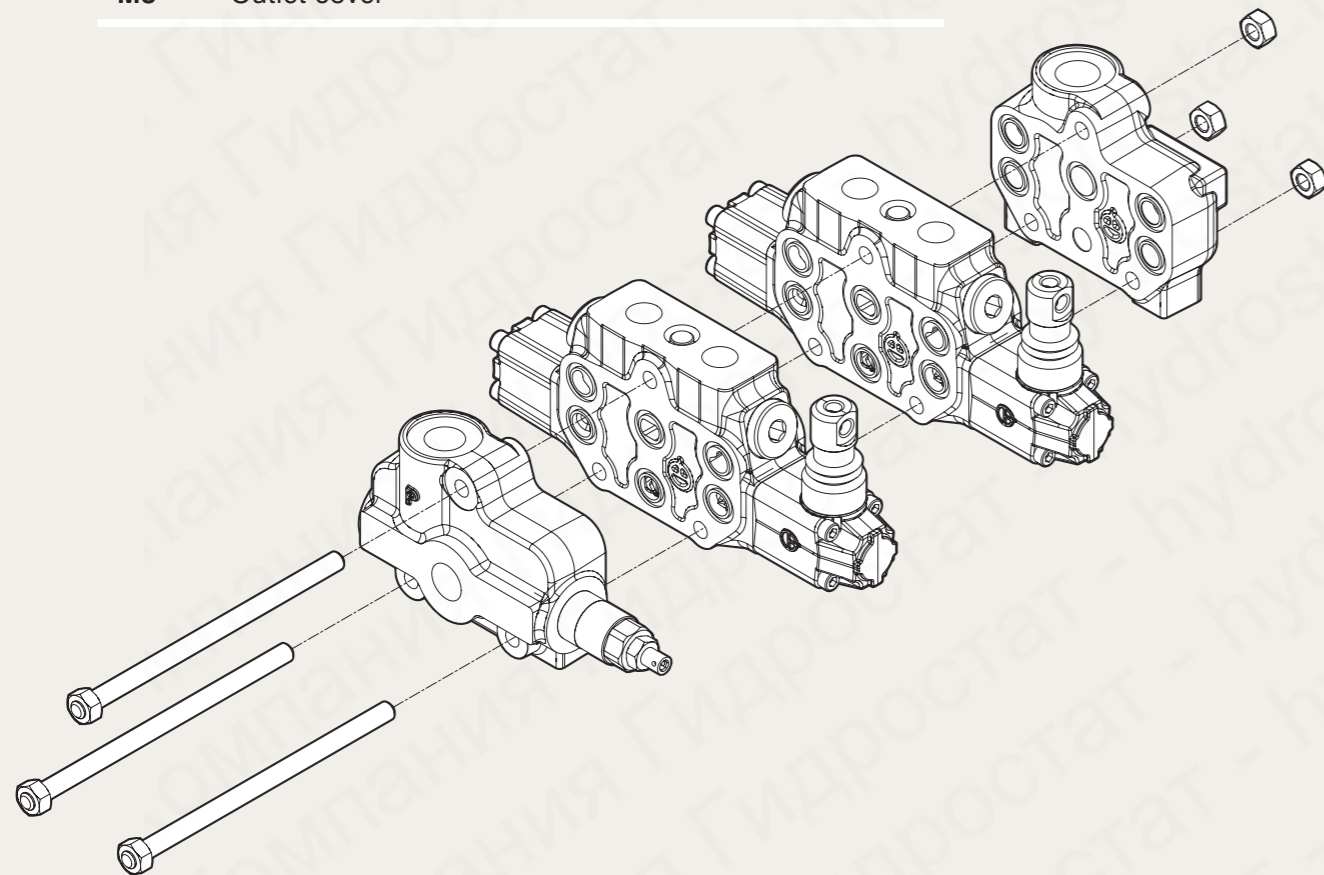
SN-3 Complete

Sectional Directional Control Valves

HOW TO ORDER FOR A COMPLETE ASSEMBLED VALVE

SN-3 / 2S - 3 / 18L / 28L / G-3-4 / M3

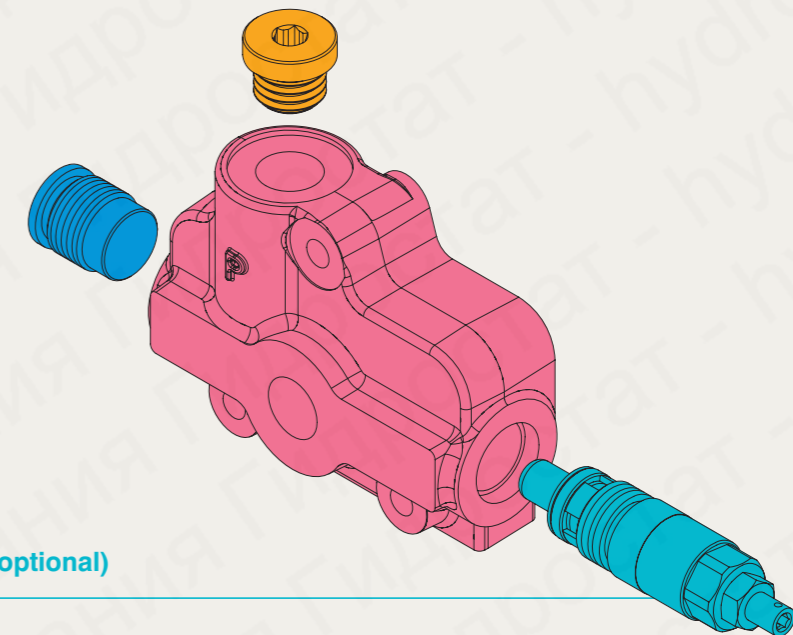
- 2S** No. of working section
- 3** Inlet cover with a main pressure relief valve
- 18L** 1st section (complete working section)
- 28L** Following section (complete working section)
- G-3-4** BSP ports
- M3** Outlet cover



SN-3 Inlet Section

Sectional Directional Control Valves

FP SN-3 / YG-3 / G3

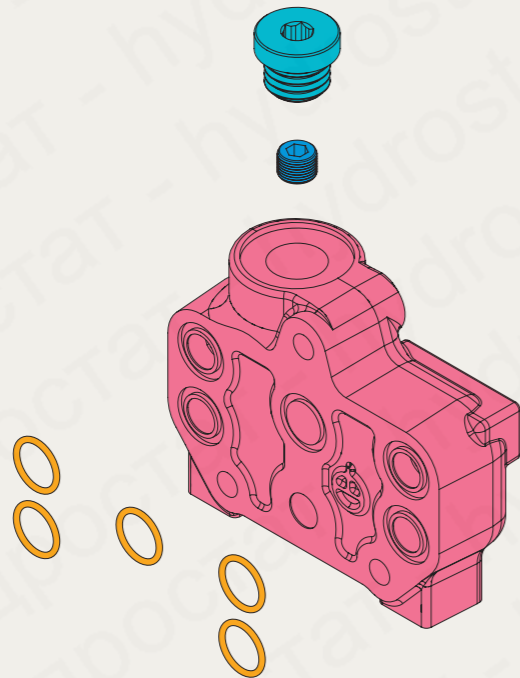


Inlet relief (optional)

Inlet Relief (optional)			
TYPE	CODE	DESCRIPTION	PAGE
YG-2	YLPSN33002	Range 40 to 80 bar / 1150 to 2300 psi , standard setting 125 bar / 1800 psi	P. 14
YG-3	YLPSN33003	Range 63 to 200 bar / 1800 to 3600 psi , standard setting 175 bar / 2500 psi	P. 14
YG-4	YLPSN33004	Range 160 to 315 bar / 2900 to 4600 psi , standard setting 220 bar / 3200 psi Standard setting is referred to 10 l/min - 2.6 US gpm flow.	P. 14
SV	YLPSN34000	Relief valve blanking plug	P. 14
XYG	YLPSN33000	Pilot operated pressure relief valve Range 25 to 315 bar/ 360 to 4600 psi, standard setting 125 bar/ 1800 psi	P. 14

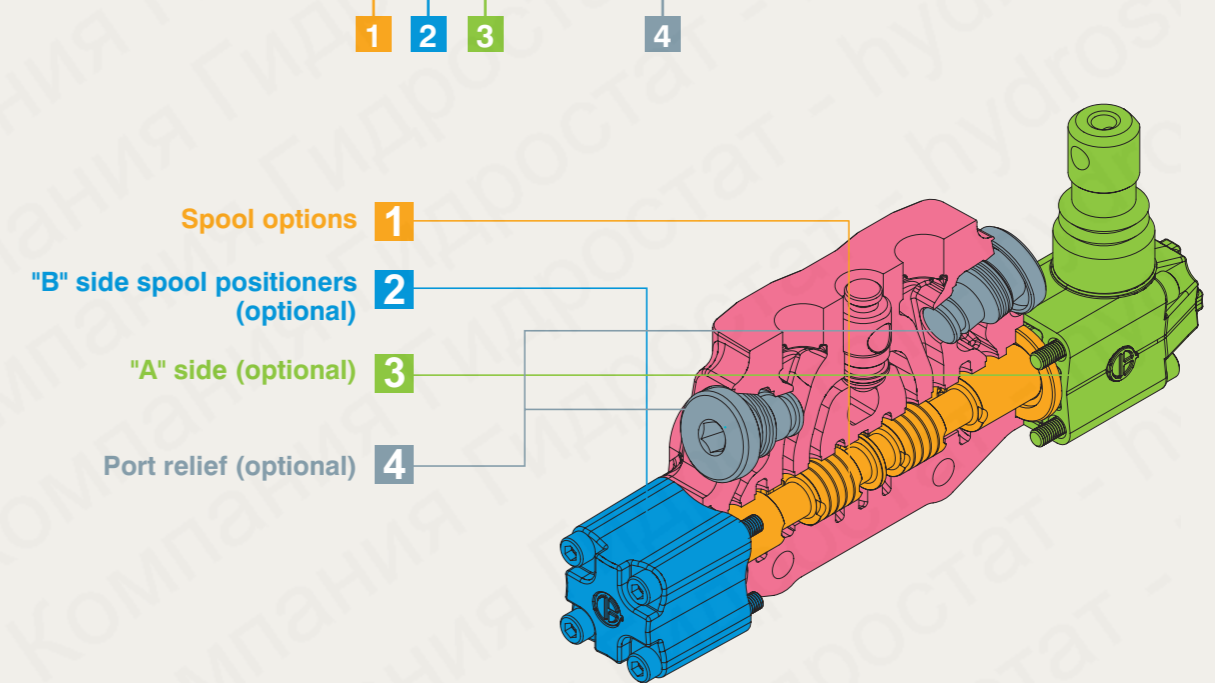
SN-3 Outlet Section Sectional Directional Control Valves

FT SN-3 / G-4 / M3



SN-3 Working Section Sectional Directional Control Valves

EW SN-3 / 1S / 1 8 L / P1(G3-100) / G-3



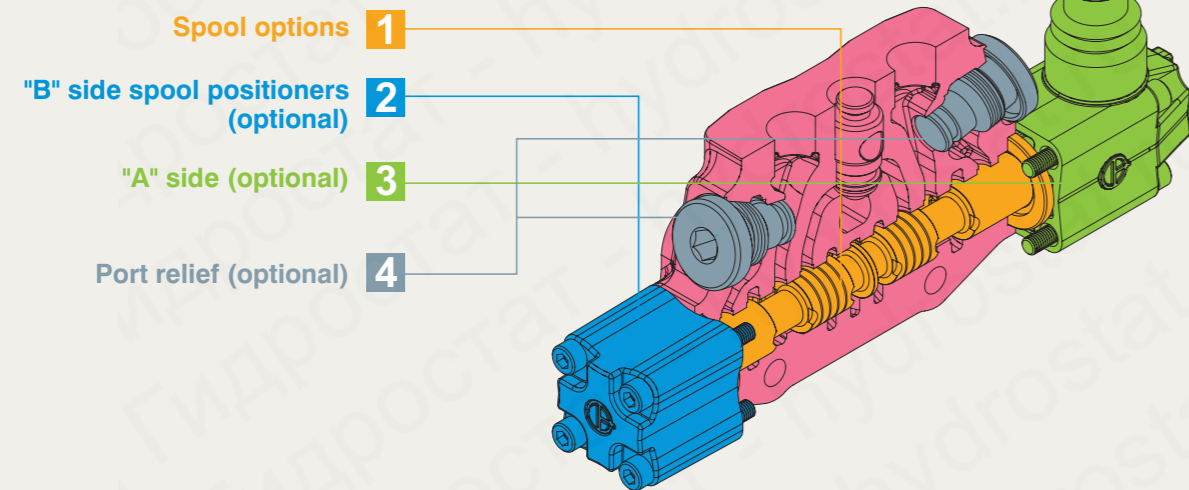
1: Spool Symbol			
TYPE	CODE	DESCRIPTION	PAGE
1	YLWSN32001	Double acting,3 positions,with A and B closed in neutral position	P. 15
1S	YLWSN32010	Double acting,3 positions,with A and B closed in neutral position, for series circuit	P. 18
2	YLWSN32002	Double acting,3 positions,with A and B open to tank in neutral position	P. 15
3	YLWSN32003	Single acting on A closed in neutral position, 3 positions, B plugged	P. 16
4	YLWSN32004	Single acting on B closed in neutral position, 3 positions, A plugged	P. 16
5	YLWSN32005	Double acting, 3 positions, with B open to Tank in neutral position	P. 17
6	YLWSN32006	Double acting, 3 positions, with A open to Tank in neutral position	P. 17
5PY	YLWSN33051	Double acting, 4 positions, floating circuit in 4th position with A, B open to Tank by pushing the lever	P. 19
2H	YLWSN32020	Double acting with A, B open partially to Tank in neutral	P. 18

SN-3 Working Section

Sectional Directional Control Valves

EW SN-3 / 1S / 1 8 L / P1(G3-100) / G-3

1 2 3 4



2: B Side Spool Positioners			
TYPE	CODE	DESCRIPTION	PAGE
6-1	YLWSN33061	Detent in pos. 1-0-2, without spring centered	P. 23
6-2	YLWSN33062	2 positions, detent in pos. 0-2, without spring centered	P. 23
6-3	YLWSN33063	2 positions, detent in pos. 1-0, without spring centered	P. 23
8D2	YLWSN33082	With spring return to neutral position and pin with M8 male thread for dual control	P. 23
8P	YLWSN33080	ON/OFF Pneumatic actuator	P. 24
8EP3	YLWSN34300	ON/OFF Electro-Pneumatic actuator	P. 24
8MG1 (NO)	YLWSN34801	Microswitch kit operated in pos. 1 (Normally Open)	P. 27
8MG2 (NO)	YLWSN34802	Microswitch kit operated in pos. 2 (Normally Open)	P. 27
8MG3 (NO)	YLWSN34803	Microswitch kit operated in pos. 1&2 (Normally Open)	P. 27
MG (NO)	YLWSN34804	Microswitch with NO terminal	P. 27
8MG1 (NC)	YLWSN348011	Microswitch kit operated in pos. 1 (Normally Closed)	P. 27
8MG2 (NC)	YLWSN348021	Microswitch kit operated in pos. 2 (Normally Closed)	P. 27
8MG3 (NC)	YLWSN348031	Microswitch kit operated in pos. 1&2 (Normally Closed)	P. 27
MG (NC)	YLWSN348041	Microswitch with NC terminal	P. 27
8	YLWSN33008	With spring return to neutral position	P. 28
8-1	YLWSN34081	2 positions, with spring centered from pos. 1	P. 28
8-2	YLWSN34082	2 positions, with spring centered from pos. 2	P. 28
9-1	YLWSN33091	Detent in pos. 1, 2 with spring centered	P. 28
9-2	YLWSN33092	Detent in pos. 2 with spring centered	P. 28
9-3	YLWSN33093	Detent in pos. 1 with spring centered	P. 28

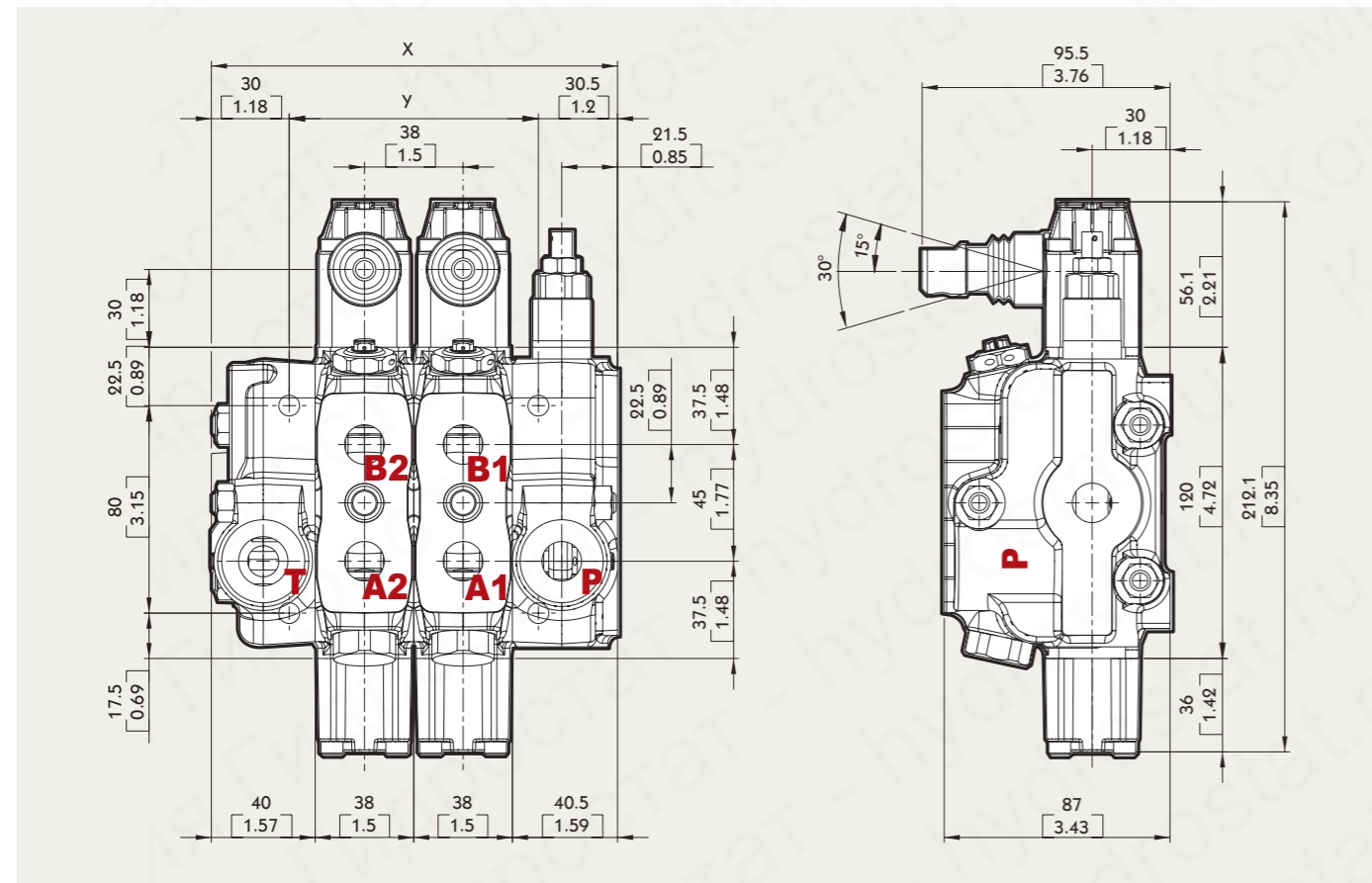
2: B Side Spool Positioners			
TYPE	CODE	DESCRIPTION	PAGE
8ED3+RV-KE1R3	YLWSN34201	1S: ON/OFF Electro-Hydraulic control kit with pilot and drain line+backpressure valve (12/24 VDC)	P. 25
8ED3+RV-KE2R3	YLWSN34202	2S: ON/OFF Electro-Hydraulic control kit with pilot and drain line+backpressure valve (12/24 VDC)	P. 25
8ED3+RV-KE3R3	YLWSN34203	3S: ON/OFF Electro-Hydraulic control kit with pilot and drain line+backpressure valve (12/24 VDC)	P. 25
8ED3+RV-KE4R3	YLWSN34204	4S: ON/OFF Electro-Hydraulic control kit with pilot and drain line+backpressure valve (12/24 VDC)	P. 25
8ED3+RV-KE5R3	YLWSN34205	5S: ON/OFF Electro-Hydraulic control kit with pilot and drain line+backpressure valve (12/24 VDC)	P. 25
8ED3+RV-KE6R3	YLWSN34206	6S: ON/OFF Electro-Hydraulic control kit with pilot and drain line+backpressure valve (12/24 VDC)	P. 25
8ED3+RV-KE7R3	YLWSN34207	7S: ON/OFF Electro-Hydraulic control kit with pilot and drain line+backpressure valve (12/24 VDC)	P. 25
8ED3+RV-KE8R3	YLWSN34208	8S: ON/OFF Electro-Hydraulic control kit with pilot and drain line+backpressure valve (12/24 VDC)	P. 25
8ED3+RV-KE9R3	YLWSN34209	9S: ON/OFF Electro-Hydraulic control kit with pilot and drain line+backpressure valve (12/24 VDC)	P. 25
8ED3+RV-KE10R3	YLWSN34210	10S: ON/OFF Electro-Hydraulic control kit with pilot and drain line+backpressure valve (12/24 VDC)	P. 25
8ED3+RV-KE11R3	YLWSN34211	11S: ON/OFF Electro-Hydraulic control kit with pilot and drain line+backpressure valve (12/24 VDC)	P. 25
8ED3+RV-KE12R3	YLWSN34212	12S: ON/OFF Electro-Hydraulic control kit with pilot and drain line+backpressure valve (12/24 VDC)	P. 25
8ER3+KE1S0	YLWSN33401	1S: ON/OFF Electro-hydraulic control kit with collector kit for external pilot and drain	P. 26
8ER3+KE2S0	YLWSN33402	2S: ON/OFF Electro-hydraulic control kit with collector kit for external pilot and drain	P. 26
8ER3+KE3S0	YLWSN33403	3S: ON/OFF Electro-hydraulic control kit with collector kit for external pilot and drain	P. 26
8ER3+KE4S0	YLWSN33404	4S: ON/OFF Electro-hydraulic control kit with collector kit for external pilot and drain	P. 26
8ER3+KE5S0	YLWSN33405	5S: ON/OFF Electro-hydraulic control kit with collector kit for external pilot and drain	P. 26
8ER3+KE6S0	YLWSN33406	6S: ON/OFF Electro-hydraulic control kit with collector kit for external pilot and drain	P. 26
8ER3+KE7S0	YLWSN33407	7S: ON/OFF Electro-hydraulic control kit with collector kit for external pilot and drain	P. 26
8ER3+KE8S0	YLWSN33408	8S: ON/OFF Electro-hydraulic control kit with collector kit for external pilot and drain	P. 26
8ER3+KE9S0	YLWSN33409	9S: ON/OFF Electro-hydraulic control kit with collector kit for external pilot and drain	P. 26
8ER3+KE10S0	YLWSN33410	10S: ON/OFF Electro-hydraulic control kit with collector kit for external pilot and drain	P. 26
8ER3+KE11S0	YLWSN33411	11S: ON/OFF Electro-hydraulic control kit with collector kit for external pilot and drain	P. 26
8ER3+KE12S0	YLWSN33412	12S: ON/OFF Electro-hydraulic control kit with collector kit for external pilot and drain	P. 26

3: A Side (Optional)			
TYPE	CODE	DESCRIPTION	PAGE
L	YLWSN34000	Standard lever	P. 20
SLP	YLWSN34003	Without lever, with dust proof plate	P. 20
LCB	YLWSN34002	Joystick lever for 2 section operation	P. 21
TQ	YLWSN34004	Flexible cable connection	P. 22

4: Port Relief (Optional)			
TYPE	CODE	DESCRIPTION	PAGE
P (G2-63)	YLWSN35002	Anti-shock valve, range 63 to 125 bar / form 900 to 1800 psi standard setting 63 bar / 900 psi	P. 29
P (G3-100)	YLWSN35003	Anti-shock valve, range 100 to 250 bar / form 1450 to 3600 psi standard setting 100bar / 1450 psi	P. 29
P (G4-200)	YLWSN35004	Anti-shock valve, range 200 to 315 bar / form 2900 to 4600 psi standard setting 200 bar / 2900 psi	P. 29
U (G2-63)	YLWSN35012	Anti-shock valve and Anti-cavitation valve, range 63 to 125 bar / form 900 to 1800 psi standard setting 63 bar / 900 psi	P. 29
U (G3-100)	YLWSN35013	Anti-shock valve and Anti-cavitation valve, range 100 to 250 bar / form 1450 to 3600 psi standard setting 100 bar / 1450 psi	P. 29
U (G4-200)	YLWSN35014	Anti-shock valve and Anti-cavitation valve, range 200 to 315 bar / form 2900 to 4600 psi standard setting 200 bar / 2900 psi	P. 29
C	YLWSN35100	Anti - cavitation	P. 29

SN-3 Dimensions

Sectional Directional Control Valves



Standard threads

Ports	BSP	UN-UNF	METRIC
P	G 3/8	7/8-14 (SAE 10)	M18 x 1.5
A and B	G 3/8	3/4-16 (SAE 8)	M18 x 1.5
T and C	G 1/2	7/8-14 (SAE 10)	M22 x 1.5

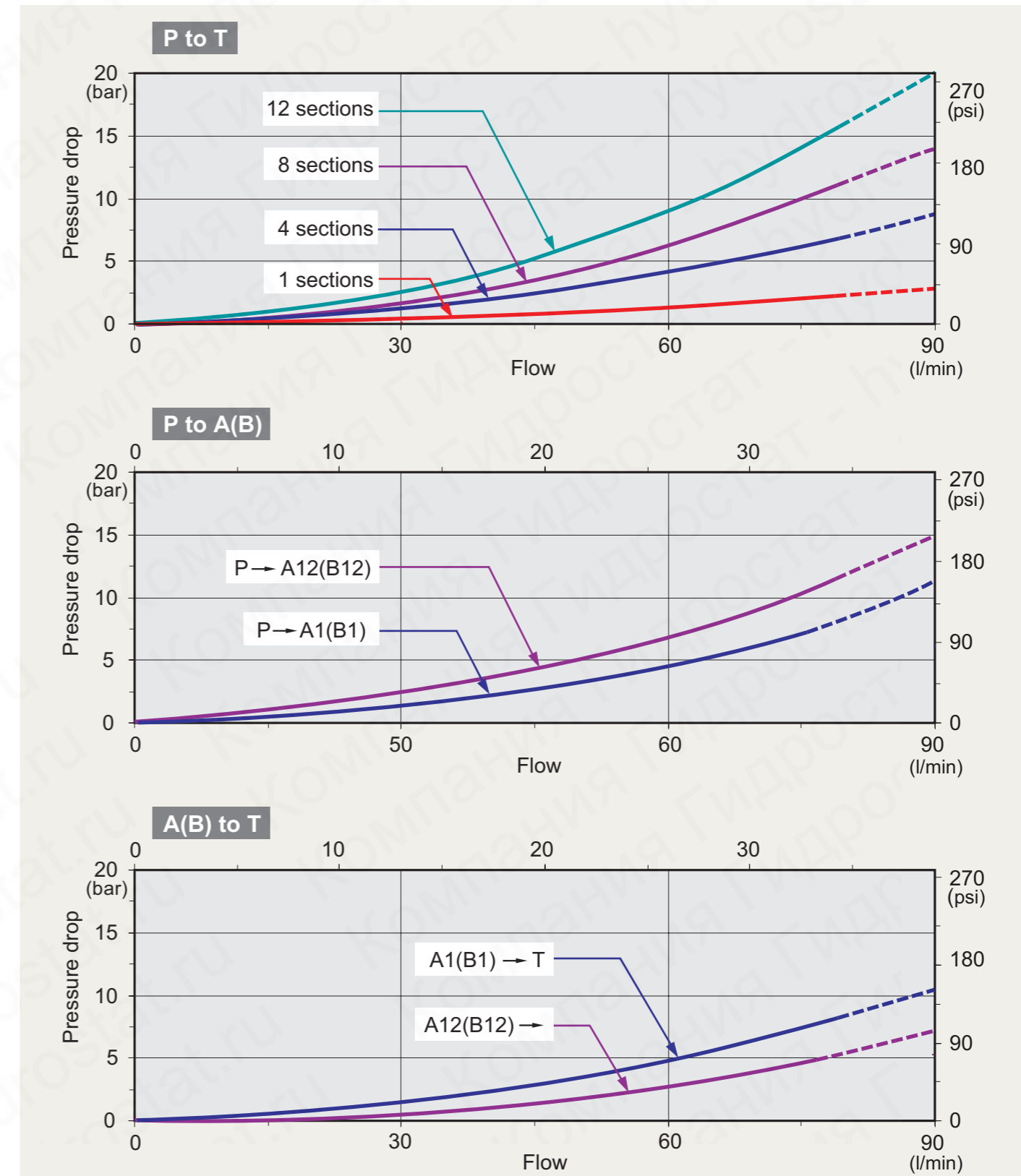
Standard dimensions

TYPE	X		Y		TYPE	X		Y	
	mm	in	mm	in		mm	in	mm	in
SN3 /1S	118.5	4.66	58	2.28	SN3 /7S	346.5	13.65	286	11.26
SN3 /2S	156.5	6.16	96	3.78	SN3 /8S	384.5	15.15	324	12.76
SN3 /3S	194.5	7.66	134	5.28	SN3 /9S	422.5	16.65	362	14.26
SN3 /4S	232.5	9.15	172	6.77	SN3 /10S	460.5	18.15	400	15.76
SN3 /5S	270.5	10.65	210	8.27	SN3 /11S	498.5	19.65	438	17.26
SN3 /6S	308.5	12.15	248	9.76	SN3 /12S	536.5	21.15	476	18.76

• G-1/2 : G4 G-3/8 : G3 G-3/4 : G6
 • SAE 8: E8 SAE 10: E10 SAE 12: E12 SAE 16: E16

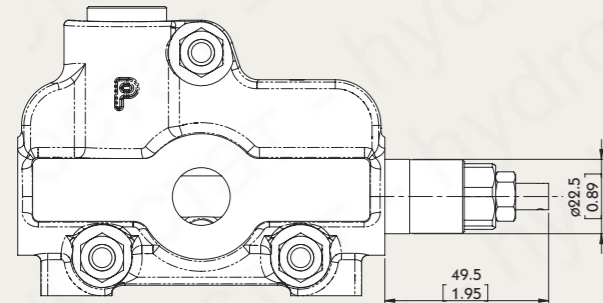
SN-3 Performance Curve Chart

Sectional Directional Control Valves

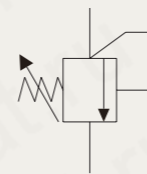


SN-3 Inlet Relief (Optional) Sectional Directional Control Valves

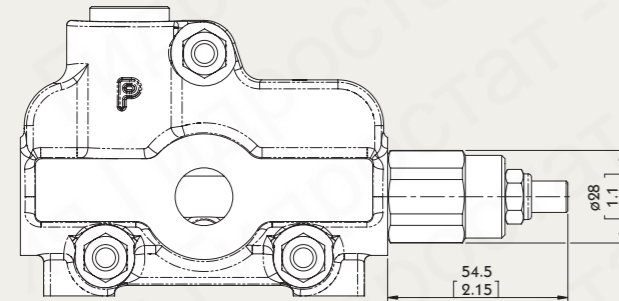
Type YG



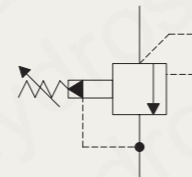
Direct pressure relief valve:



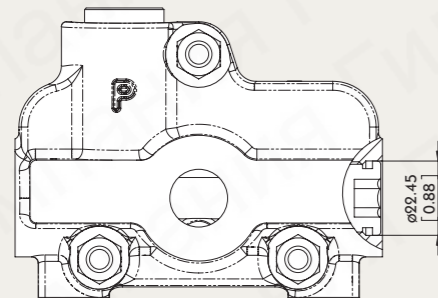
Type XYG



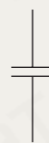
Pilot operated pressure relief valve:



Type SV

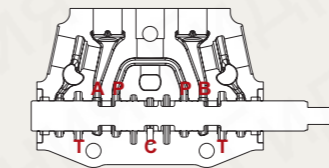


Relief valve blanking plug:

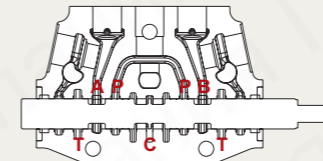
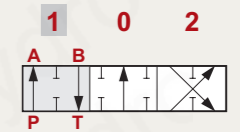


SN-3 Spool Options Sectional Directional Control Valves

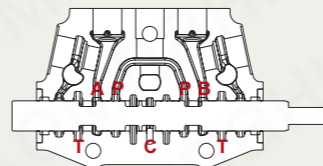
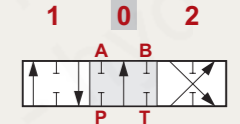
TYPE 1



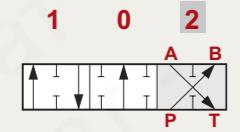
P → A
B → T
C closed



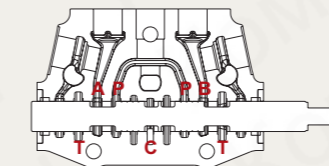
P & T & A & B closed
C open



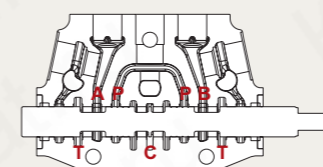
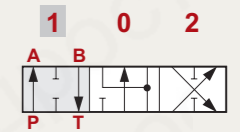
P → B
A → T
C closed



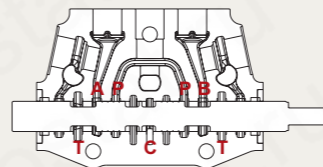
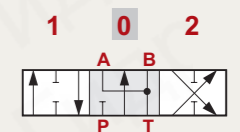
TYPE 2



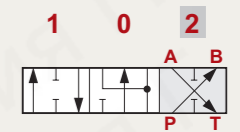
P → A
B → T
C closed



A & B → T
P closed
C open



P → B
A → T
C closed



SN-3 Spool Options

Sectional Directional Control Valves

TYPE 3		
	P → A C closed	 "B" port plugged
	P & T & A & B closed C open	 "B" port plugged
	A → T C open	 "B" port plugged

TYPE 4		
	B → T C open	 "A" port plugged
	P & T & B closed C open	 "A" port plugged
	P → B C closed	 "A" port plugged

SN-3 Spool Options

Sectional Directional Control Valves

TYPE 5		
	P → A B → T C closed	
	A & B → T P closed C open	
	P → B A → T C closed	

TYPE 6		
	P → A B → T C closed	
	A & B → T P closed C open	
	P → B A → T C closed	

SN-3 Spool Options

Sectional Directional Control Valves

TYPE 2H		
	<p>P → A</p> <p>B → T</p> <p>C closed</p>	
	<p>A & B → T</p> <p>P closed</p> <p>C open</p>	
	<p>P → B</p> <p>A → T</p> <p>C closed</p>	

TYPE 1S		
	<p>P → B</p> <p>A → C</p>	<p>"B" port plugged</p>
	<p>P & T & A & B closed</p> <p>C open</p>	<p>"B" port plugged</p>
	<p>P → A</p> <p>B → C</p>	<p>"B" port plugged</p>

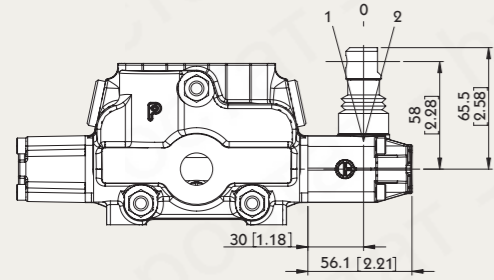
SN-3 Spool Options

Sectional Directional Control Valves

TYPE 5PY			NOTE: WITH SPECIAL BODY AND SPECIAL POSITIONER
	<p>A & B → T</p> <p>P closed</p> <p>C open</p>		
	<p>P → A</p> <p>B → T</p> <p>C closed</p>		
	<p>P & A & B & T closed</p> <p>C open</p>		
	<p>P → B</p> <p>A → T</p> <p>C closed</p>		

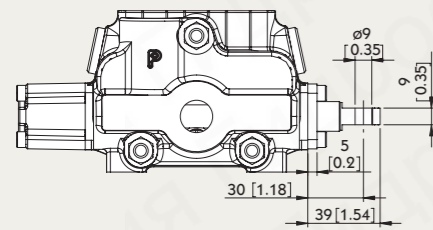
SN-3 A Side Sectional Directional Control Valves

Type L



Type L:
STANDART LEVER KIT

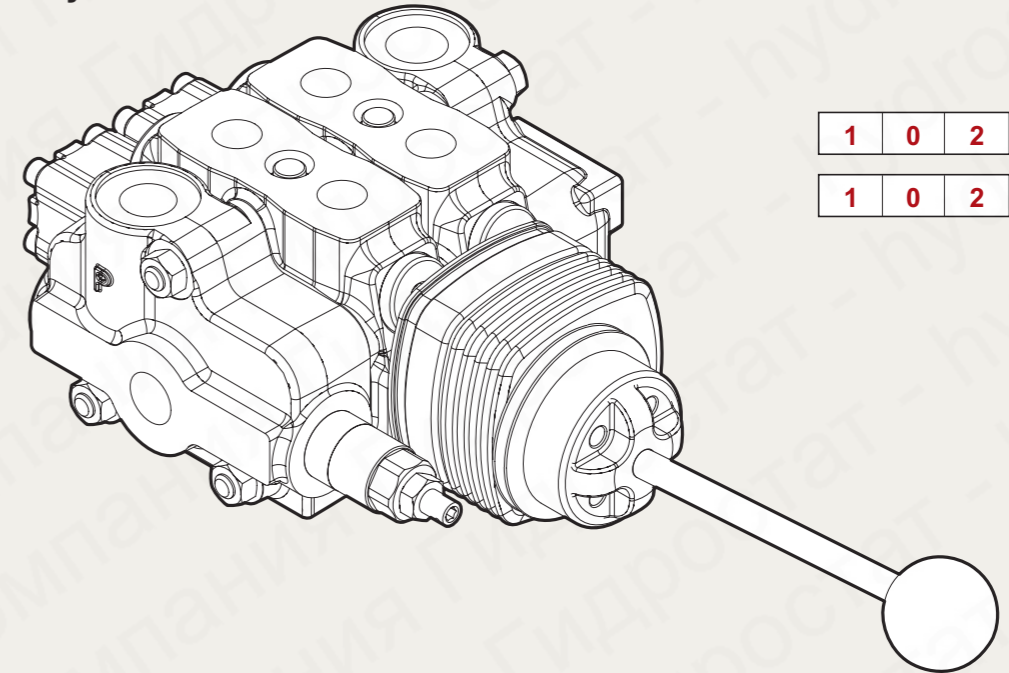
Type SLP



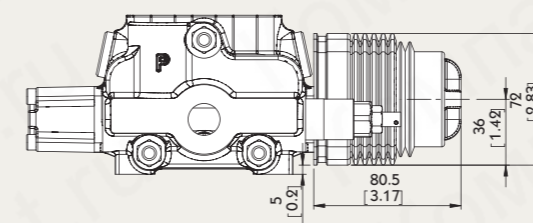
Type SLP:
WITH DUST-PROOF PLATE

SN-3 A Side Sectional Directional Control Valves

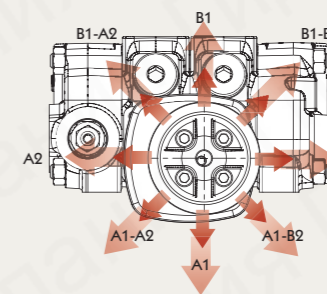
LCB: Joystick control



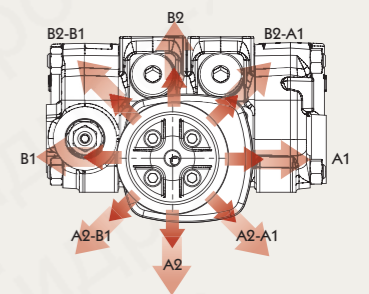
Type LCB



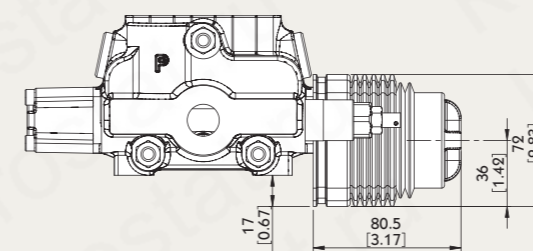
LCB1



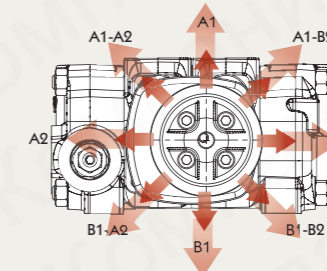
LCB2



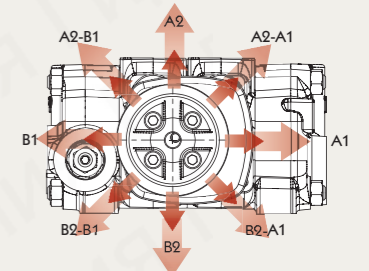
Type LCB



LCB3



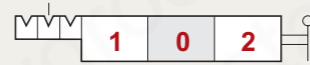
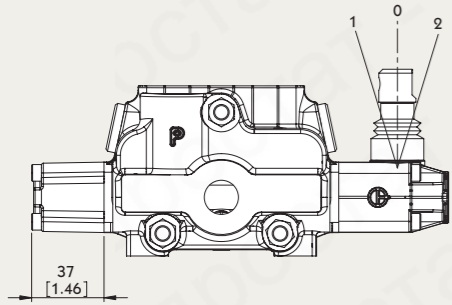
LCB4



SN-3 B Side

Sectional Directional Control Valves

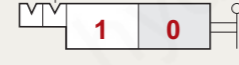
Type 6



6-1 Kit:
DETENT IN POS. 1-0-2, WITHOUT SPRING CENTERED

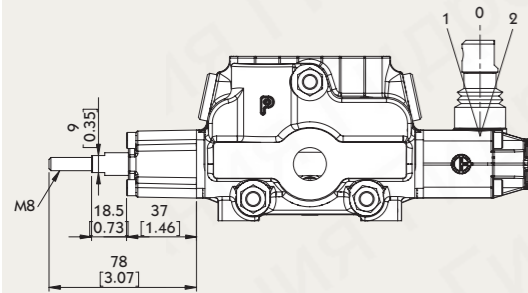


6-2 Kit:
2 POSITIONS, DETENT IN POS. 0-2, WITHOUT SPRING CENTERED



6-3 Kit:
2 POSITIONS, DETENT IN POS. 1-0, WITHOUT SPRING CENTERED

Type 8D2



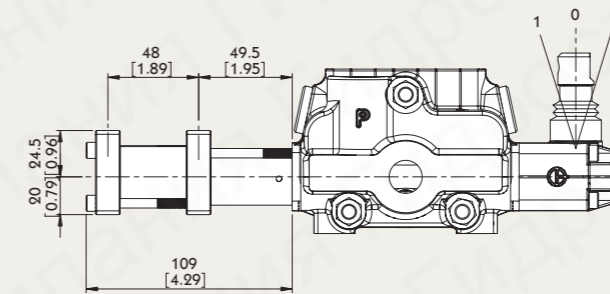
8D2 Kit:
WITH SPRING RETURN TO NEUTRAL POSITION AND PIN WITH M8 MALE THREAD FOR DUAL CONTROL

SN-3 B Side

Sectional Directional Control Valves

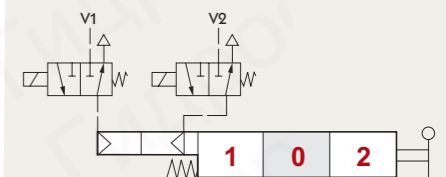
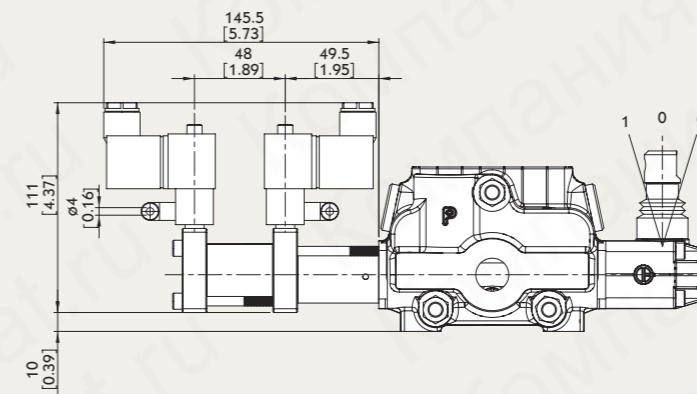
Type 8P

V1 & V2 : NPT 1/8 - 27



Pilot pressure : FROM 7 TO 10 BAR / 101 TO 145 PSI

Type 8EP3

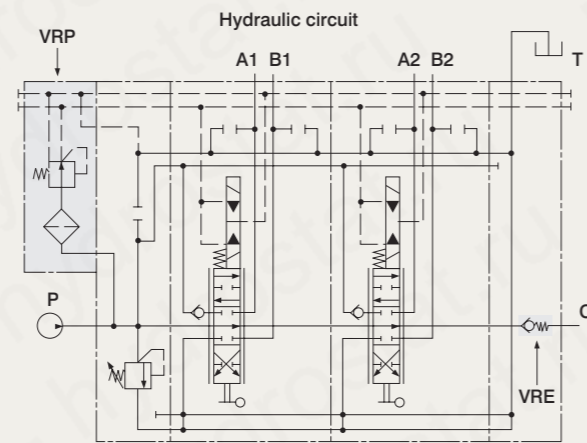
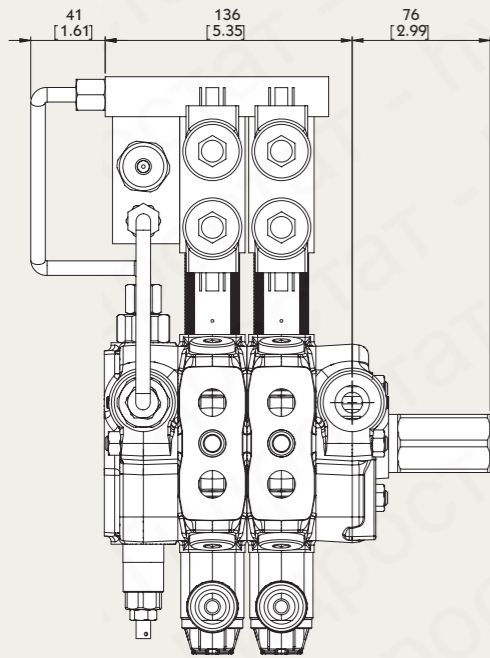


Solenoid operating features :

NOMINAL VOLTAGE: 24VDC
NOMINAL VOLTAGE TOLERANCE: $\pm 10\%$
POWER RATING: 5W

SN-3 B Side Sectional Directional Control Valves

Type 8ED3

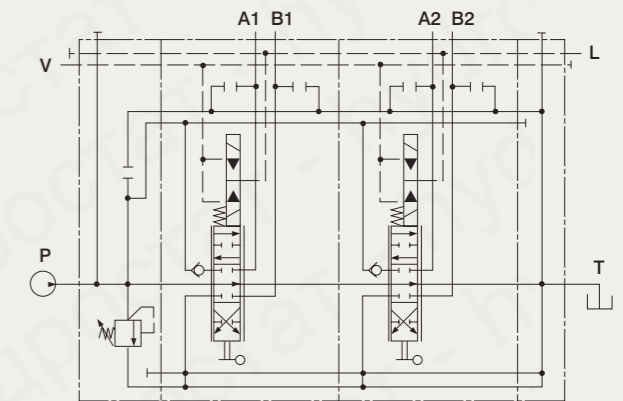
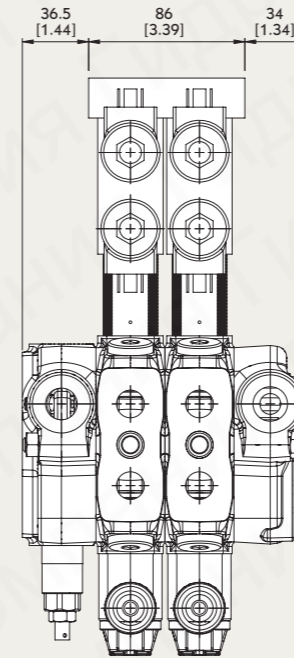


VRP valve operating features :

OUTLET PRESSURE: 25 BAR / 363 PSI
 MAX. FLOW: 8 L/MIN / 2.1 US GPM
 FLTERING: 80 μ

SN-3 B Side Sectional Directional Control Valves

Type 8ER3



Operating features :

PILOT PRESSURE: • MIN. 10 BAR / 145 PSI
 • MAX. 50 BAR / 725 PSI

MAX. BACKPRESSURE ON DRAIN L: 25 BAR / 360PSI

Solenoid operating features :

NOMINAL VOLTAGE: 12VDC / 24 VDC
 POWER RATING: 21 W
 DUTY CYCLE: 100 %

Operating features :

PILOT PRESSURE: • MIN. 10 BAR / 145 PSI
 • MAX. 50 BAR / 725 PSI

MAX. BACKPRESSURE ON DRAIN L: 25 BAR / 360PSI

Solenoid operating features :

NOMINAL VOLTAGE: 12VDC / 24 VDC
 POWER RATING: 21 W
 DUTY CYCLE: 100 %

SN-3 B Side Sectional Directional Control Valves

Type 8MG

	8MG1 Kit: MICROSWITCH WITH MALE/FEMALE CONNECTOR, OPERATED IN POS. 1
	8MG2 Kit: MICROSWITCH WITH MALE/FEMALE CONNECTOR, OPERATED IN POS. 2
	8MG3 Kit: MICROSWITCH WITH MALE/FEMALE CONNECTOR, OPERATED IN POS. 1 AND POS. 2

With NO contact (female connector with male end)

With NC contact (male connector with female end)

**MICROSWITCH
Operating features :**

MECHANICAL LITE: • 5x10° OPERATIONS

ELECTRICAL LITE (RESISTIVE LOAD):

- 10° OPERATIONS - 7A / 13.5 VDC
- 5x10° OPERATIONS - 10A / 12 VDC
- 5x10° OPERATIONS - 3A / 28 VDC

SN-3 B Side Sectional Directional Control Valves

Type 8

	8 Kit: SPRING RETURN TO NEUTRAL POSITION
	8-1 Kit: SPRING RETURN TO NEUTRAL POSITION. (2 POSITIONS)
	8-2 Kit: SPRING RETURN TO NEUTRAL POSITION. (2 POSITIONS)

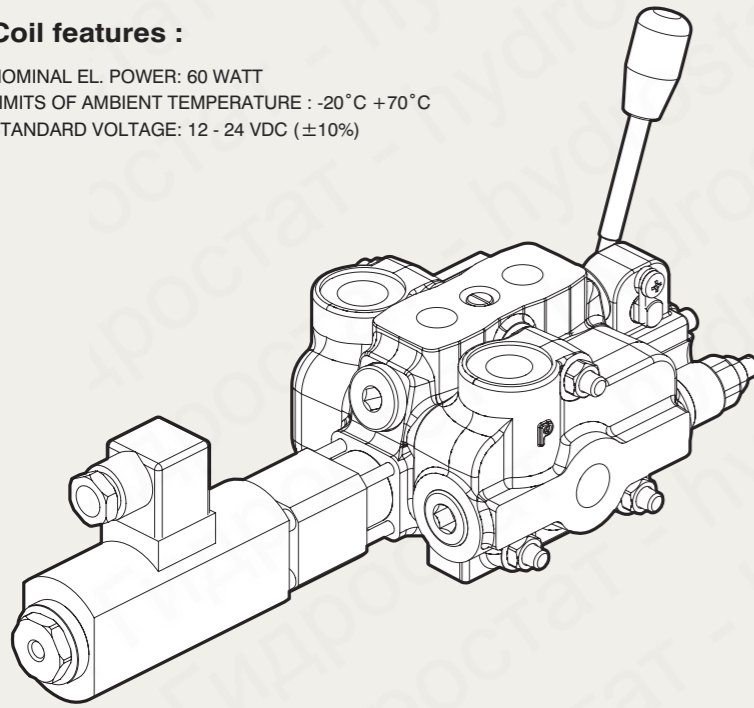
Type 9

	9-1 Kit: DETENT IN POS. 1, 2 WITH SPRING CENTERED
	9-2 Kit: DETENT IN POS. 2 WITH SPRING CENTERED
	9-3 Kit: DETENT IN POS. 1 WITH SPRING CENTERED

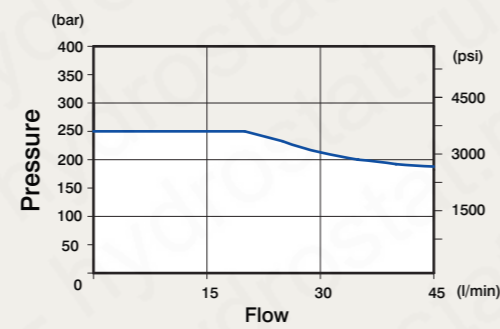
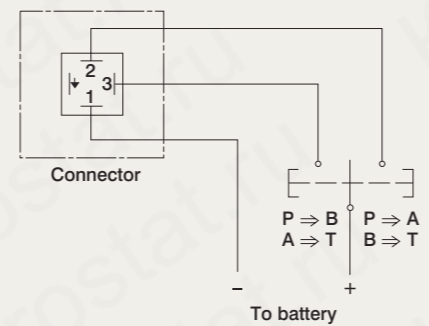
SN-3 B Side (Optional controls) Sectional Directional Control Valves

Coil features :

NOMINAL EL. POWER: 60 WATT
LIMITS OF AMBIENT TEMPERATURE : -20°C +70°C
STANDARD VOLTAGE: 12 - 24 VDC (±10%)

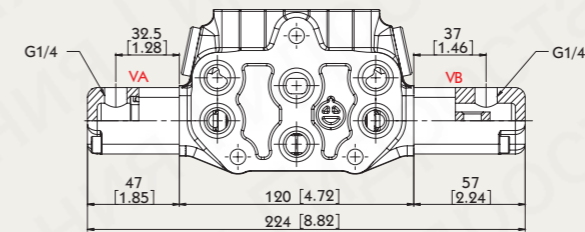


Electric wiring example



SN-3 B Side (Optional controls) Sectional Directional Control Valves

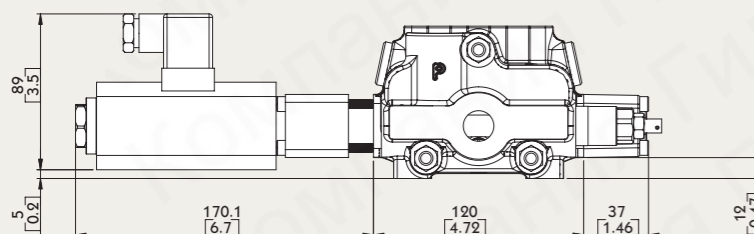
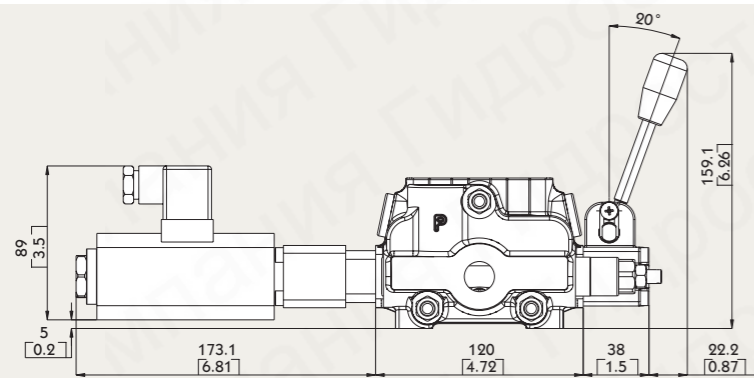
Type 8IM



Operating features :

PILOT PRESSURE : MAX. 50 BAR
INTERNAL LEAKAGE A(B) -> T : MAX. 6 CM³/MIN
(100 BAR / 40°C)

Type 8ESN



8ESNLES Kit:



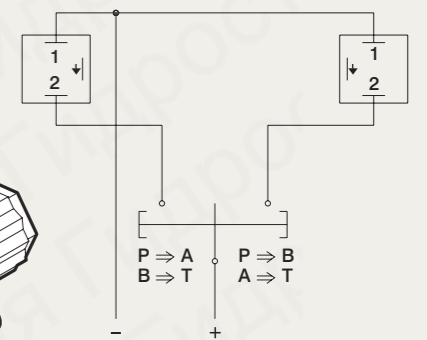
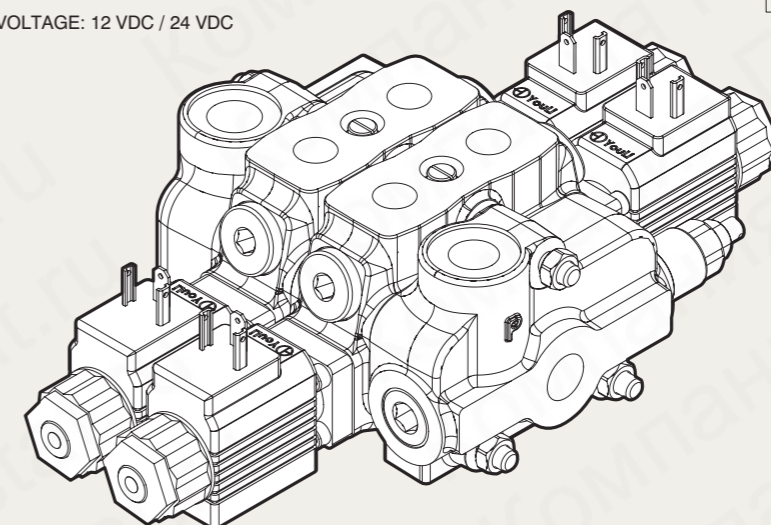
8ESNCAE Kit:



Type 8ES3

Coil features :

NOMINAL VOLTAGE TOLERANCE: 10%
ELECTRIC POWER: 36 W
STANDARD VOLTAGE: 12 VDC / 24 VDC



SN-3 special spool (Options for 8ESN Kit) Sectional Directional Control Valves

Type 8ESN#1 (CODE: YLWSN32001-8ESN)

	<p>P → A</p> <p>B → T</p> <p>C closed</p>	
	<p>A & B & P & T closed</p> <p>C open</p>	
	<p>P → B</p> <p>A → T</p> <p>C closed</p>	

Type 8ESN#2 (CODE: YLWSN32002-8ESN)

	<p>P → A</p> <p>B → T</p> <p>C closed</p>	
	<p>A & B → T</p> <p>P closed</p> <p>C open</p>	
	<p>P → B</p> <p>A → T</p> <p>C closed</p>	

SN-3 Accessories Sectional Directional Control Valves

Type JS

CODE: YLJS446
Hydraulic Pilot Valve - handle type

Specifications:

- This data sheet shows technical spec. with mineral oil of 46 mm²/s (cSt) viscosity at 40 °C (104 °F)
- Flow : 5 ~ 20 LPM
- Feeding pressure : 30 ~ 100 bar
- Max. backpressure : 3 bar
- Output pressure : see diagram
- Internal leakage at 30 bar : 18 ~ 24 cm³/min
- Fluid : mineral oil
- Fluid temperature : - 10 ~ 80 °C
- Ambient temperature : - 40 ~ 60 °C

HYDRAULIC SCHEME:

Angle Degree	Pressure (Bar)
0	0
2	0
4	0
6	6
8	10
10	14
12	18
14	22
16	26
18	28
20	28
22	28
24	28

SN-3 Accessories

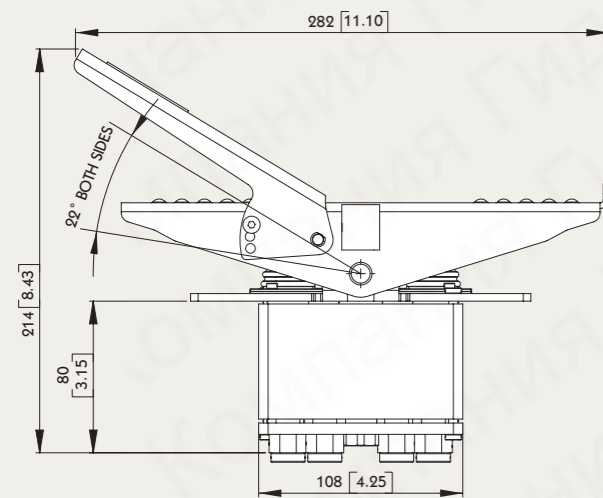
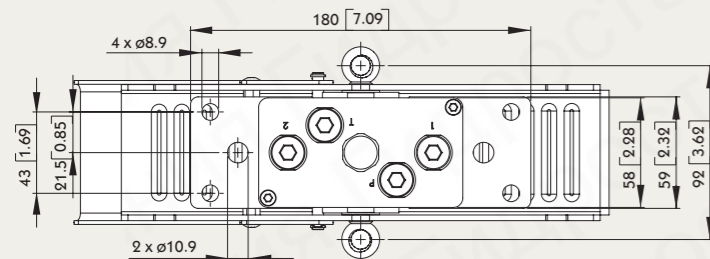
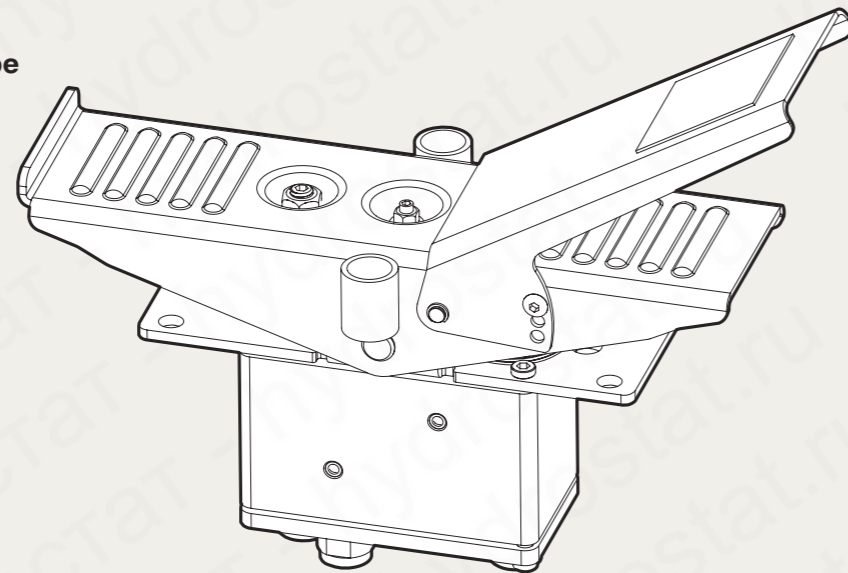
Sectional Directional Control Valves

Type FP

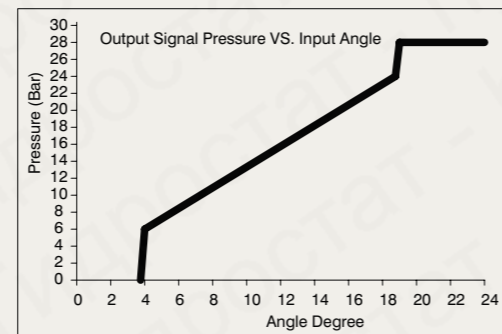
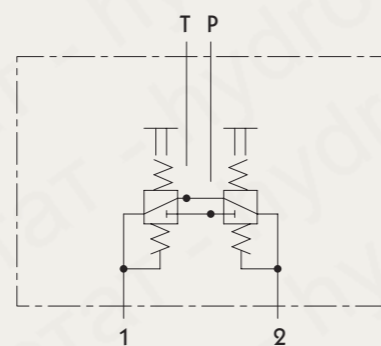
CODE: YLFP246
Hydraulic Pilot Valve - pedal type

Specifications:

- This data sheet shows technical spec. with mineral oil of 46 mm²/s (cSt) viscosity at 40 °C (104 °F)
- Flow : 5 ~ 20 LPM
- Feeding pressure : 30 ~ 100 bar
- Max. backpressure : 3 bar
- Output pressure : see diagram
- Internal leakage at 30 bar : 18 ~ 24 cm³/min
- Fluid : mineral oil
- Fluid temperature : - 10 ~ 80 °C
- Ambient temperature : - 40 ~ 60 °C



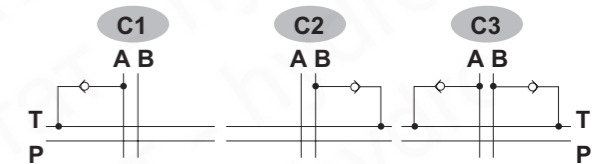
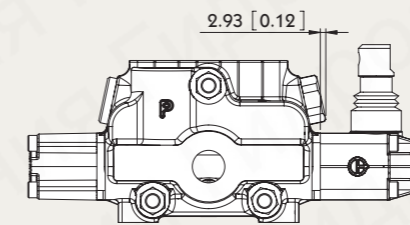
HYDRAULIC SCHEME:



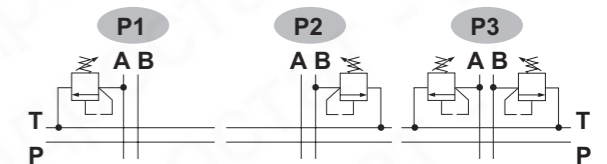
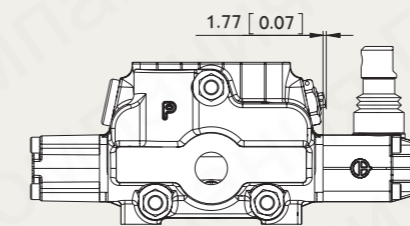
SN-3 Port Relief

Sectional Directional Control Valves

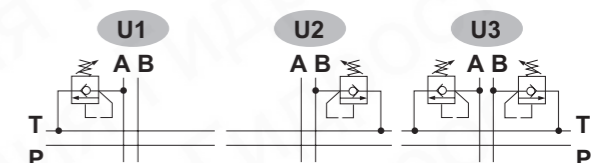
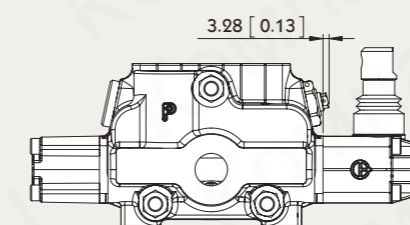
TYPE C



TYPE P



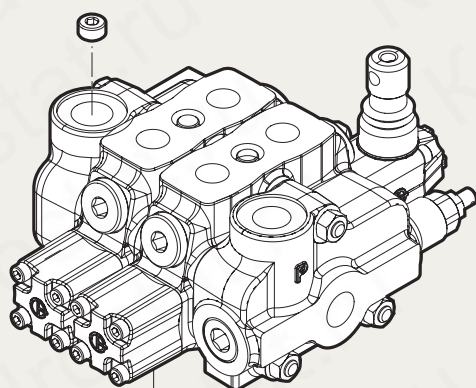
TYPE U



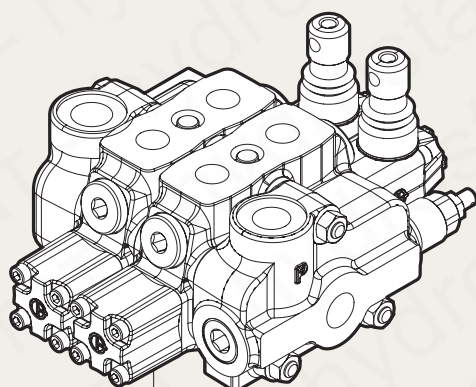
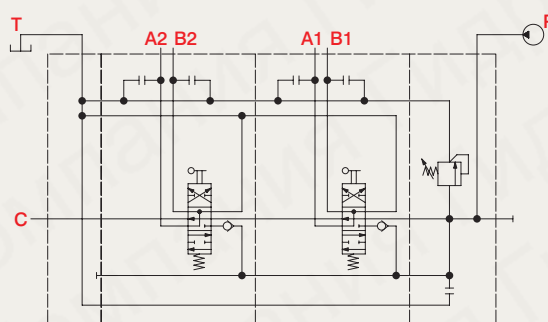
SN-3 Outlet

Sectional Directional Control Valves

Power Beyond Conversion plug
(Closed center plug)



M8



M3

